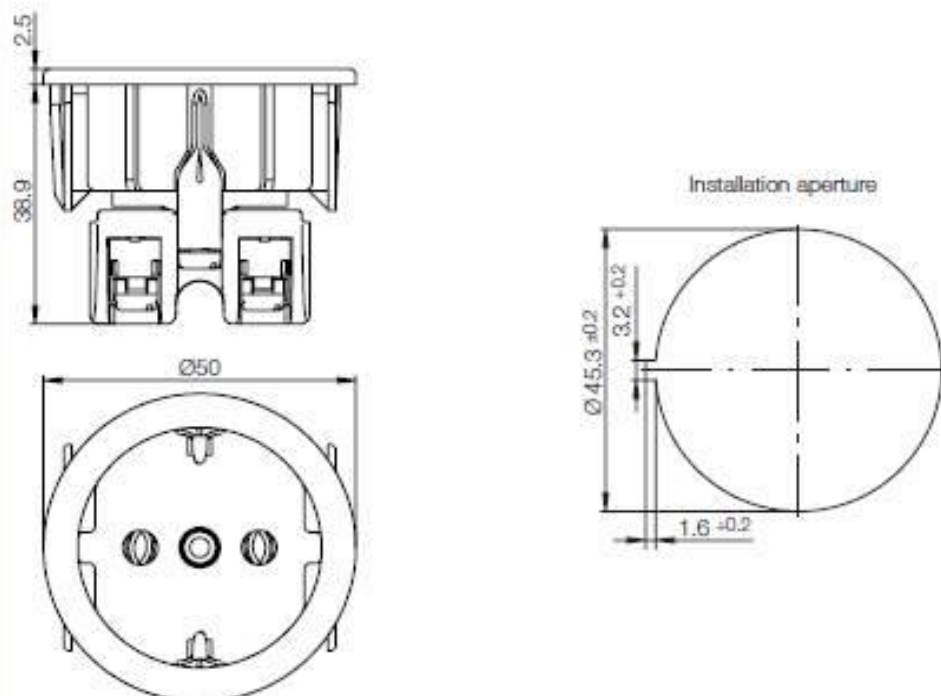


## Built-in SCHUKO socket outlet with centre plate $\varnothing$ 50 mm, SNAP IN

- for different installation wall thicknesses



## Built-in SCHUKO socket outlet with centre plate $\varnothing$ 50 mm, SNAP IN 0.6 - 1.5 mm

- with flat connection

